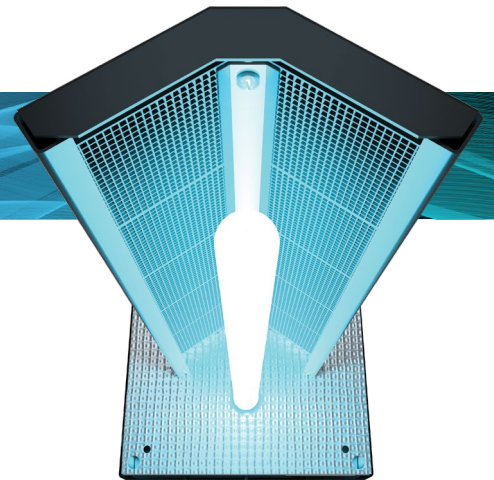


CARBON UV

Introducing our most advanced whole-house air treatment system yet. Carbon UV is the result of ten years of development. It has revolutionized indoor air quality with significantly improved performance, functionality, and reliability.

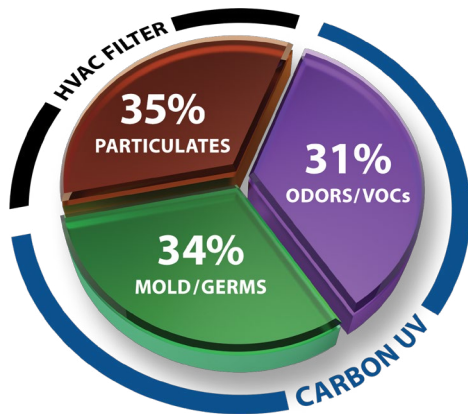


FEATURES

- 33% more effective than previous model in laboratory tests
- V-Twin carbon element with 65% more effective surface area
- Proprietary carbon cells with antimicrobial nanotechnology
- 3 year UVC lamp
- LED status and lamp fault indicator
- Translucent polycarbonate housing
- Face-plate rotates for 90° installation

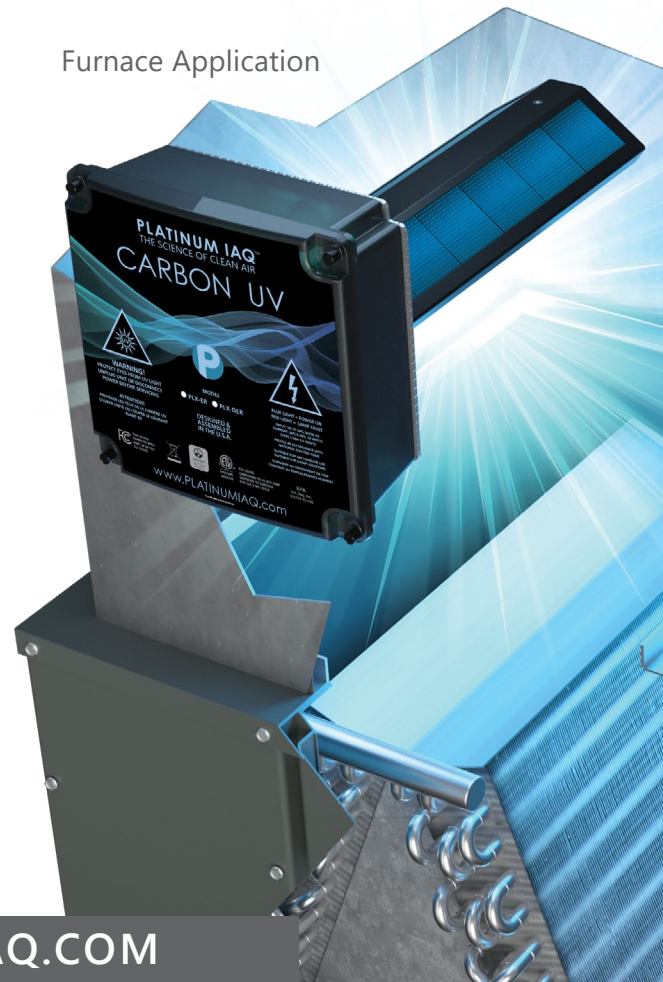
BENEFITS

- Whole-house air purification
- Neutralizes odors & toxic VOCs
- Kills viruses, mold, & bacteria
- Improves indoor air quality
- Inhibits HVAC mold growth



**NEUTRALIZE
VIRUSES & VOCs**

Furnace Application



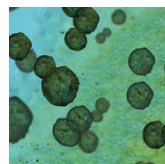
Sterilizes Microbes & Neutralizes Odors/VOCs



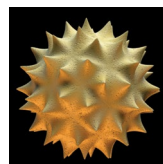
VIRUSES



BACTERIA



MOLD



ALLERGENS



PET ODORS



TOBACCO



FOOD SMELLS



CHEMICALS

CARBON UV

An entirely new V-Twin Carbon Matrix™ takes Platinum Carbon UV to a new level of air treatment. The new configuration includes an antimicrobial nanotech coating and 65% more effective carbon surface area resulting in a 33% improvement in performance compared to the original carbon system.



Air Handler Application

Carbon UV sterilizes biological contaminants and neutralizes odors and toxic VOCs

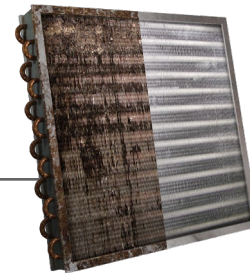
Coil with Mold

Carbon UV Dual systems include a 2nd UV light for coil disinfection

Polarized Air Cleaner (optional polarized filter) captures particulates down to .3 microns (.00001 inch).



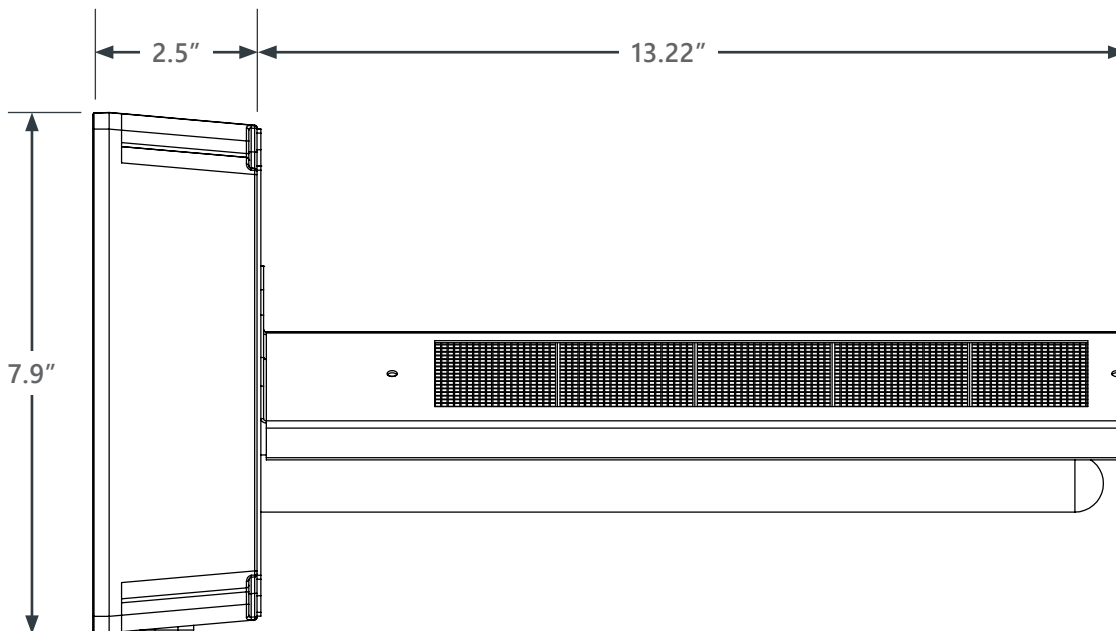
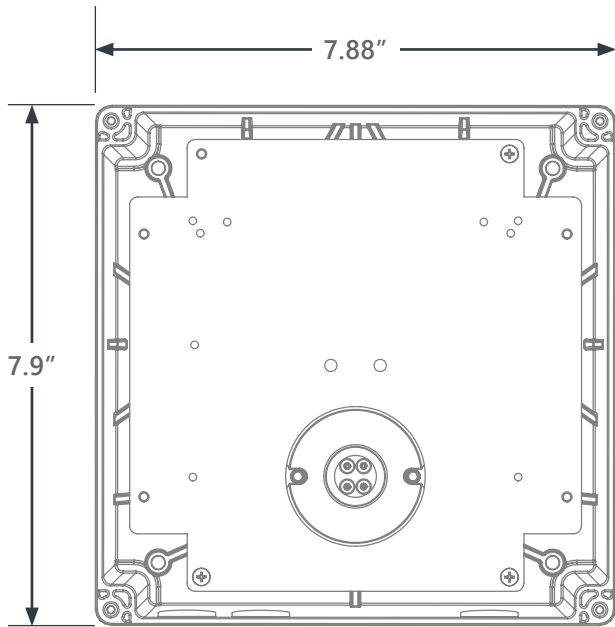
Validated
Ozone-Free
by UL



Coil with UV Light

CARBON UV

SPECS



Carbon UV Specs

UV Lamp	254 nm germicidal UVC, quartz hot filament
Dimensions	Cell & Lamp: 5.8"W x 3.25"H x 13.2"D Enclosure: 7.6"L x 7.6"W x 2.2"D
ER models Electrical	18-32 VAC, 60 Hz, 0.68 Amps, 16 VA
SI DI models Electrical	120-277 VAC, 50/60 Hz, 0.51 Amps/120V Thru 0.22 Amps/277V
Pressure Drop	<0.01" w.c. @ 400 FPM
Warranty	Lifetime for all parts except lamp

Part Numbers

18-32 VAC		Replacement Lamp
PL-PCOX-ER3	3 Year Lamp	TUVL-315
18-32 VAC with 2nd UV Lamp for Coil		Replacement Lamps
PL-PCOX-DER3	3 Year Lamp (2)	TUVL-315
120-277 VAC		Replacement Lamp
PL-PCOX-SI3P	3 Year Lamp	TUVL-315
120-277 VAC with 2nd UV Lamp for Coil		Replacement Lamps
PL-PCOX-DI3P	3 Year Lamp (2)	TUVL-315

EPA
Est. Reg. No.
075179-FL-002

**DESIGNED &
ASSEMBLED
IN THE U.S.A.**